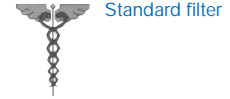
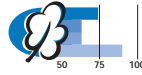


Power entry module Type KFB I

- Panel mount: screw-on version, front-side
- Appliance inlet with line switch, 1-pole and line filter




We recommend for new applications type DC12

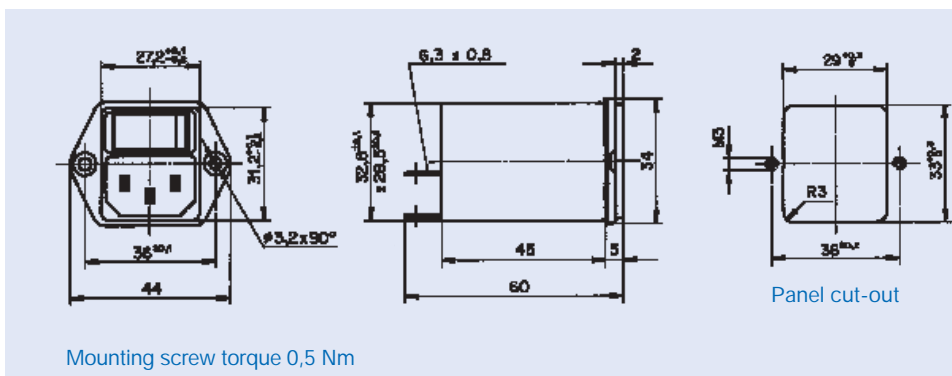
Characteristics

- Line switch non-illuminated
- Qualified for use in equipment according to IEC/EN 60950

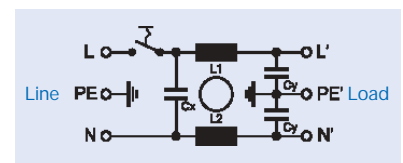
Technical data

Rated voltage	125/250 V AC; 50/60 Hz
Rated currents	1-10 A; @ T _a 40 °C
Leakage current, Standard	< 0,5 mA (250 V/60 Hz)
Test voltage (2 sec)	1,7 kVDC between L-N 2,7 kVDC between L/N-PE
Allowable ambient air temperatures T _a	-25 °C at +85 °C
Climatic category	25/085/21 acc. to IEC/EN 60068-1
Degree of protection (front-side)	IP40 acc. to IEC 60529
Protection class	suitable for equipment with prot. cl. I, acc. to IEC 61140
Terminals	quick-connect 6,3 x 0,8 mm
Panel thickness s	max. 8 mm
Materials: Housing	Thermoplastic, black, UL94 V-0
Appliance-inlet	 acc. to IEC/EN 60320-1/C14, Protection class I, pin-temperature 70 °C (cold condition)
Line switch (Rocker switch)	1-pole, non-illuminated acc. to IEC/EN 61058-1. Technical details see page 200
Line filter, standard	acc.to IEC 60939, EN 133 200, UL 1283, CSA C22.2 no 8. Technical details see page 202

Dimensions



Diagram



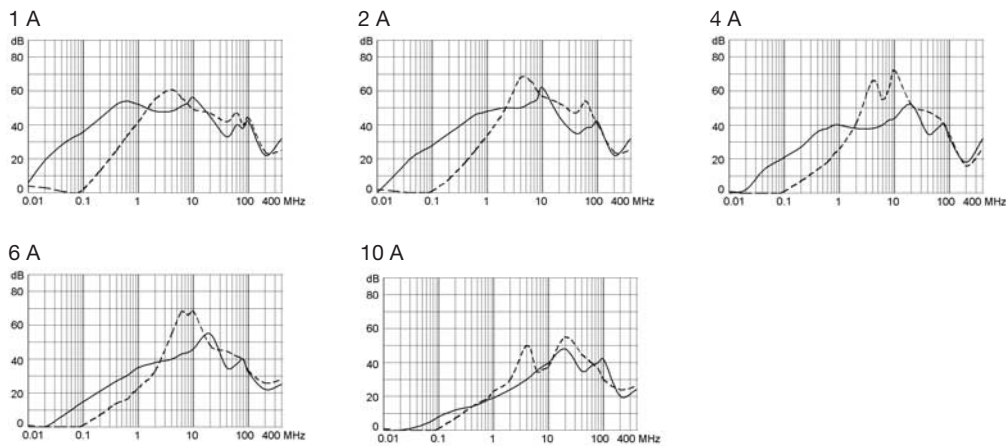
Technical data of filter-components

Rated current (A)	Filter-Type	Inductance L1/L2 (mH)	Capacitance		R (MΩ)
			CX (nF)	CY (nF)	
1	Standard	2 x 10	68	2 x 2,2	-
2		2 x 4			
4		2 x 1,5			
6		2 x 0,8			
10		2 x 0,3			

Attenuation loss line filter

Standard version

----- differential mode
 _____ common mode



Order Numbers

Type	Order no	Rated current	EMC-shield	Filter-Type
KFB I Standard	4302.5001	1 A	with	Standard
	4302.5002	2 A		
	4302.5003	4 A		
	4302.5004	6 A		
	4302.5005	10 A		

Accessories see page 171